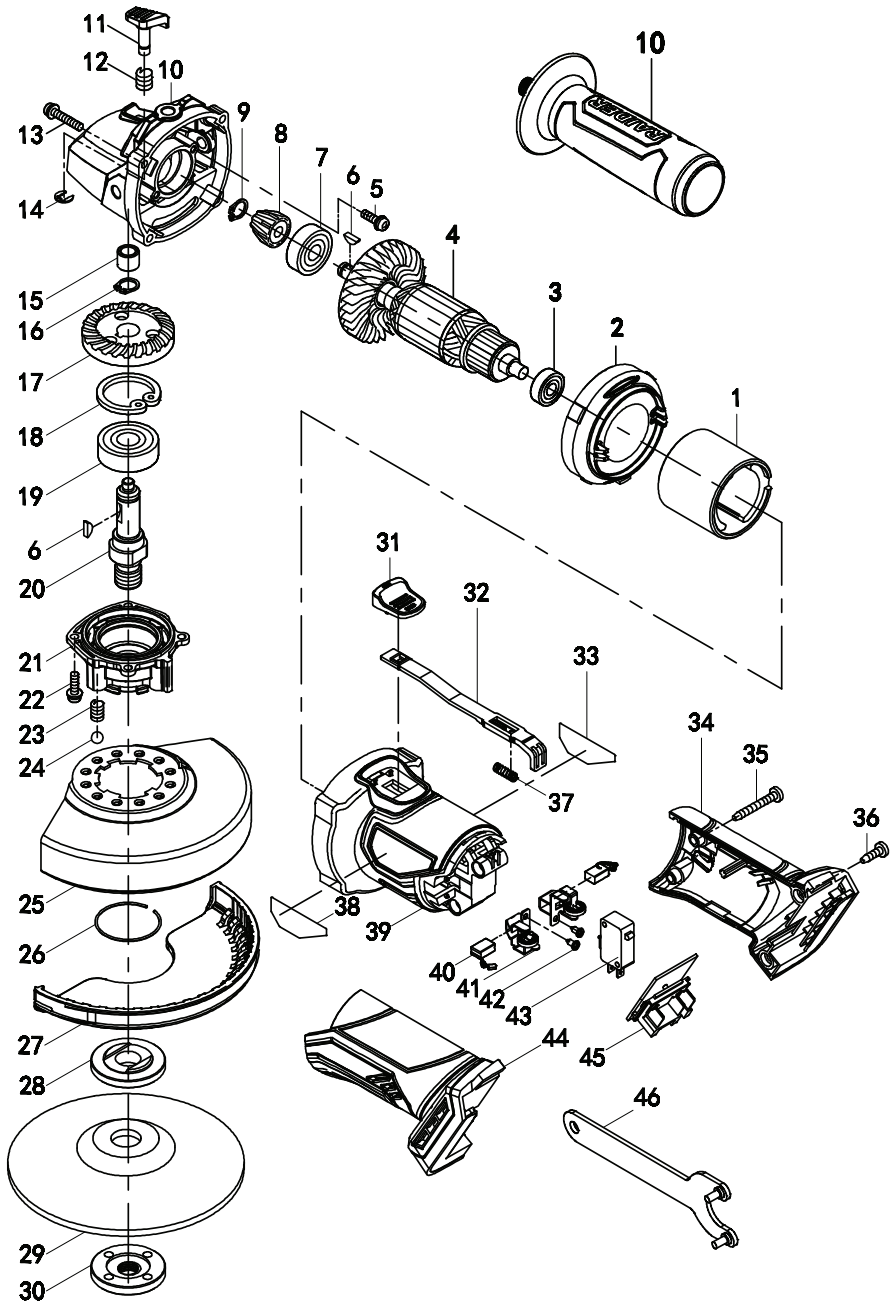


# EXPLODED VIEW



## SPARE PARTS LIST

NO.	Description	Quantity
1	stator	1
2	windshield	1
3	bearing 625-2Z	1
4	rotor	1
5	large flat head screw with pad M4×8	2
6	Half round key 3×3.7×10	2
7	bearing 629-2RS	1
8	gear	1
9	ring 6	1
10	head shell	1
11	self-locking pin	1
12	Knob spring	1
13	screw ST4.2×22	4
14	Open retaining ring Φ5	1
15	Oil bearing Φ8×Φ12×10	1
16	ring	1
17	big gear	1
18	ring φ32	1
19	bearing 6201-2RS	1
20	sprindle	1
21	front cover	1
22	screws M4×14	4
23	Steel Ball Spring	4
24	Steel ball	4
25	Wheel cover	1
26	Wire retaining ring for shaft Φ34	1
27	fast change wheel cover	1
28	Lower pressing plate	1
29	Blade	1

NO.	Description	Quantity
30	Upper pressing plate	1
31	switch button	1
32	switch pole	1
33	nameplate	1
34	right handle	1
35	screw ST4.2×30	2
36	screw ST4.2×16-F	2
37	Tie rod spring	1
38	trademark	1
39	house	1
40	carbon brush	2
41	Carbon brush holder assembly	2
42	screw (scraping) ST2.9×8	2
43	switch	1
44	left handle	1
45	Electronic control components	1
46	upper wrench	1
47	side handle	1
48		
49		
50		
51		
52		
53		
54		
55		
56		
57		
58		